

Excavator hook VABH-B 4t

Artikel-Nr: 7991207



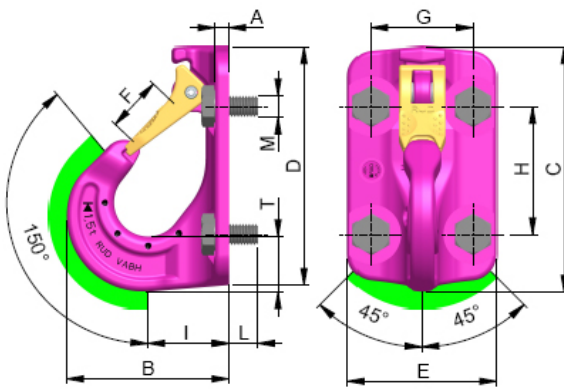
Threaded Excavator hook for all lifting means.

- Can be combined with most commercial lifting means without additional connecting element.
- ICE-Bolt made out of patented steel. Non-hazardous deep temperature usage down to -60° ; higher toughness and therefore higher bending strength as well as less wear occurrence.
- Patented markings for easy determination for withdraw of service.
- Robust, forged safety latch.
- Assembly with flat / ring wrench or allen key possible.
- Area of application in ring plane: 150° , Area of application at lateral load: $+45^{\circ}$, -45°

Other important RUD specific information and specialities to our RUD lifting points can be found in the specific user instruction.

Excavator hook VABH-B 4t

Artikel-Nr: 7991207



weight	3.00 kg	6.61 lbs
Nominal WLL	4000 kg	8800 lbs
T	40 mm	1-9/16"
A	11 mm	7/16"
B	119 mm	4-11/16"
C	168 mm	6-5/8"
D	164 mm	6-15/32"
E	104 mm	4-3/32"
F	35 mm	1-3/8"
G	70 mm	2-3/4"
H	90 mm	3-17/32"
I	59 mm	2-15/16"
L	25 mm	63/64"
M	M16 mm	M16