

Collar nut M56 DIN6331 Grade 10, crack tested, height: 1.5 x M

Artikel-Nr: 7993521

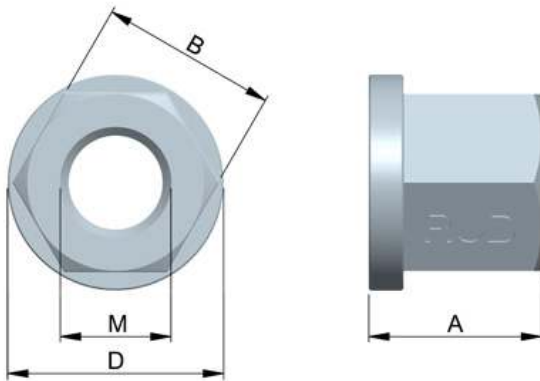


Collar nuts for attachment points that are frequently assembled and disassembled in through bolts.

- 100% crack tested
- Nut height: 1.5 x d
- Finish: galvanised

Collar nut M56 DIN6331 Grade 10, crack tested, height: 1.5 x M

Artikel-Nr: 7993521



weight	2.68 kg	5.91 lbs
A	84 mm	3-5/16"
B	85 mm	3-11/32"
D	105 mm	4-1/8"
M	M56 mm	M56