

Vario-Starpoint VRS-F-5/16"-18UNC with star key

Artikel-Nr: 7999106

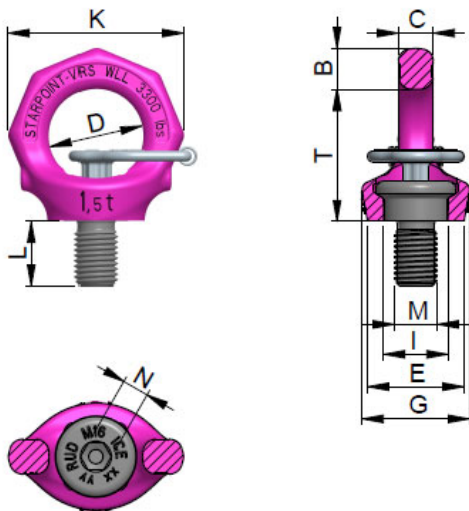


- Lifting points pivots 360°. Easy adjustment in load direction.
- Not exchangeable RUD-Bolt (this reduces the usage of improper standard bolts).
- Clear marking of the minimum WLL for all loading directions. Higher WLL possible when location and installation is optimised (compare WLL chart / product information).
- Clear marking at the bolt head: RUD, thread size, batch-no.
- Variable bolt lengths available for tapped or through holes.
- Available as: - Standard Metric Thread (DIN EN 13) - Metric Fine Thread (DIN EN 13) - Coarse Pitch Thread UNC (ANSI B1.1) - Fine Thread 8UN (ANSI B1.1) - Inch Pipe Thread (DIN 228)
- Significant product characteristics of the VRS are subject to property right claims.
- Component according to the test criterias of BG/DGUV "GS-OA-15-04".
- Complying with the US-Standard (ASME B30.26). Quick and easy installation with just one bolt connection.
- Installation and disassembly without any further tools than the exchangeable Easy-Fit star profile key for singular lifts.
- For permanent installation and recurrent lifts we can offer a special socket wrench to apply the requested torque (fits to a common Inch torque wrench).

Other important RUD specific information and specialities to our RUD lifting points can be found in the specific user instruction.

Vario-Starpoint VRS-F-5/16"-18UNC with star key

Artikel-Nr: 7999106



| | | |
|--------------------|----------------|-------------|
| weight | 0.13 kg | 0.29 lbs |
| Nominal WLL | 300 kg | 660 lbs |
| T | 35 mm | 1-3/8" |
| B | 11 mm | 7/16" |
| C | 9 mm | 11/32" |
| D | 25 mm | 63/64" |
| E | 25 mm | 63/64" |
| G | 30 mm | 1-3/16" |
| I | 16,3 mm | 41/64" |
| K | 47 mm | 1-7/8" |
| L | 12 mm | 15/32" |
| M | 5/16"-18UNC mm | 5/16"-18UNC |
| N | 1/4" mm | 1/4" |