

Vario-Starpoint VRS-F-5/8"-11UNC with star key

Artikel-Nr: 7104482

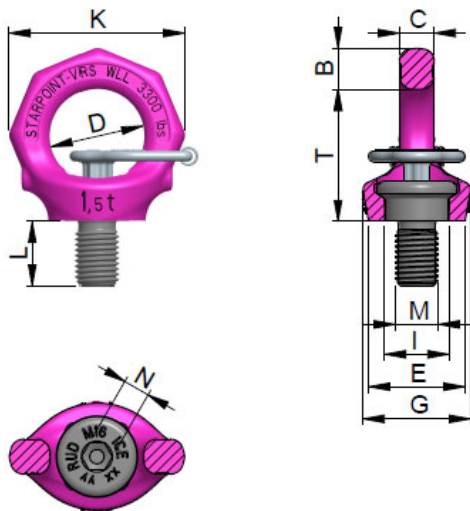


- Lifting points pivots 360°. Easy adjustment in load direction.
- Not exchangeable RUD-Bolt (this reduces the usage of improper standard bolts).
- Clear marking of the minimum WLL for all loading directions. Higher WLL possible when location and installation is optimised (compare WLL chart / product information).
- Clear marking at the bolt head: RUD, thread size, batch-no.
- Variable bolt lengths available for tapped or through holes.
- Available as: - Standard Metric Thread (DIN EN 13) - Metric Fine Thread (DIN EN 13) - Coarse Pitch Thread UNC (ANSI B1.1) - Fine Thread 8UN (ANSI B1.1) - Inch Pipe Thread (DIN 228)
- Significant product characteristics of the VRS are subject to property right claims.
- Component according to the test criterias of BG/DGUV "GS-OA-15-04".
- Complying with the US-Standard (ASME B30.26). Quick and easy installation with just one bolt connection.
- Installation and disassembly without any further tools than the exchangeable Easy-Fit star profile key for singular lifts.
- For permanent installation and recurrent lifts we can offer a special socket wrench to apply the requested torque (fits to a common Inch torque wrench).

Other important RUD specific information and specialities to our RUD lifting points can be found in the specific user instruction.

Vario-Starpoint VRS-F-5/8"-11UNC with star key

Artikel-Nr: 7104482



weight	0.33 kg	0.73 lbs
Nominal WLL	1500 kg	3300 lbs
T	49 mm	1-15/16"
B	15 mm	19/32"
C	13 mm	1/2"
D	35 mm	1-3/8"
E	36 mm	1-27/64"
G	40 mm	1-9/16"
I	23,5 mm	59/64"
K	65 mm	2-9/16"
L	24 mm	15/16"
M	5/8"-11UNC mm	5/8"-11UNC
N	3/8" mm	3/8"