

Vario-Starpoint VRS-F-2"-4,5UNC with star key

Artikel-Nr: 7104489

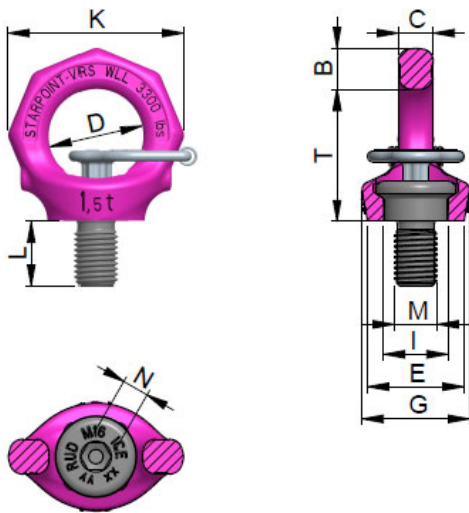


- Lifting points pivots 360°. Easy adjustment in load direction.
- Not exchangeable RUD-Bolt (this reduces the usage of improper standard bolts).
- Clear marking of the minimum WLL for all loading directions. Higher WLL possible when location and installation is optimised (compare WLL chart / product information).
- Clear marking at the bolt head: RUD, thread size, batch-no.
- Variable bolt lengths available for tapped or through holes.
- Available as: - Standard Metric Thread (DIN EN 13) - Metric Fine Thread (DIN EN 13) - Coarse Pitch Thread UNC (ANSI B1.1) - Fine Thread 8UN (ANSI B1.1) - Inch Pipe Thread (DIN 228)
- Significant product characteristics of the VRS are subject to property right claims.
- Component according to the test criterias of BG/DGUV "GS-OA-15-04".
- Complying with the US-Standard (ASME B30.26). Quick and easy installation with just one bolt connection.
- Installation and disassembly without any further tools than the exchangeable Easy-Fit star profile key for singular lifts.
- For permanent installation and recurrent lifts we can offer a special socket wrench to apply the requested torque (fits to a common Inch torque wrench).

Other important RUD specific information and specialities to our RUD lifting points can be found in the specific user instruction.

Vario-Starpoint VRS-F-2"-4,5UNC with star key

Artikel-Nr: 7104489



weight	7.60 kg	16.76 lbs
Nominal WLL	12000 kg	24640 lbs
T	138 mm	5-7/16"
B	42 mm	1-21/32"
C	42 mm	1-21/32"
D	94 mm	3-11/16"
E	100 mm	3-15/16"
G	128 mm	5"
I	70 mm	2-3/4"
K	180 mm	7-1/16"
L	72 mm	2-27/32"
M	2"-4,5UNC mm	2"-4,5UNC
N	1-1/8" mm	1-1/8"