

## STARPOINT VRS - 1"-8UNC - 3,2t

Artikel-Nr: 7103964

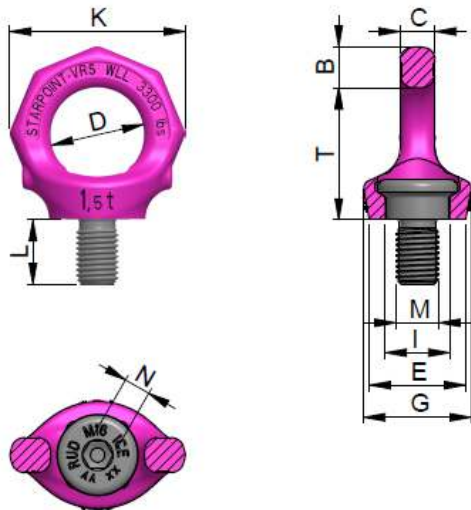


- Lifting points pivots 360°. Easy adjustment in load direction.
- Not exchangeable RUD-Bolt (this reduces the usage of improper standard bolts).
- Clear marking of the minimum WLL for all loading directions. Higher WLL possible when location and installation is optimised (compare WLL chart / product information).
- Clear marking at the bolt head: RUD, thread size, batch-no.
- Variable bolt lengths available for tapped or through holes.
- Available as: - Standard Metric Thread (DIN EN 13) - Metric Fine Thread (DIN EN 13) - Coarse Pitch Thread UNC (ANSI B1.1) - Fine Thread 8UN (ANSI B1.1) - Inch Pipe Thread (DIN 228)
- Significant product characteristics of the VRS are subject to property right claims.
- Component according to the test criterias of BG/DGUV "GS-OA-15-04".
- Complying with the US-Standard (ASME B30.26). Quick and easy installation with just one bolt connection.
- Installation and disassembly without any further tools than the exchangeable Easy-Fit star profile key for singular lifts Version VRS-F).
- For permanent installation and recurrent lifts we can offer a special socket wrench to apply the requested torque (fits to a common Inch torque wrench).

Other important RUD specific information and specialities to our RUD lifting points can be found in the specific user instruction.

## STARPOINT VRS - 1"-8UNC - 3,2t

Artikel-Nr: 7103964



|                    |            |          |
|--------------------|------------|----------|
| <b>weight</b>      | 0.90 kg    | 1.98 lbs |
| <b>Nominal WLL</b> | 3200 kg    | 7050 lbs |
| <b>T</b>           | 70 mm      | 2-3/4"   |
| <b>B</b>           | 20 mm      | 3/4"     |
| <b>C</b>           | 19 mm      | 3/4"     |
| <b>D</b>           | 49 mm      | 1-15/16" |
| <b>E</b>           | 51 mm      | 2"       |
| <b>G</b>           | 60 mm      | 2-3/8"   |
| <b>I</b>           | 35 mm      | 1-3/8"   |
| <b>K</b>           | 92 mm      | 3-5/8"   |
| <b>L</b>           | 36 mm      | 1-27/64" |
| <b>M</b>           | 1"-8UNC mm | 1"-8UNC  |
| <b>N</b>           | 9/16" mm   | 9/16"    |