

STARPOINT VRS - 1 1/8"-7UNC - 3,2t

Artikel-Nr: 7999384

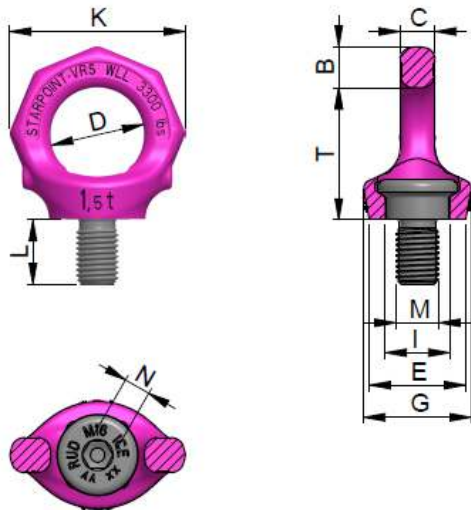


- Lifting points pivots 360°. Easy adjustment in load direction.
- Not exchangeable RUD-Bolt (this reduces the usage of improper standard bolts).
- Clear marking of the minimum WLL for all loading directions. Higher WLL possible when location and installation is optimised (compare WLL chart / product information).
- Clear marking at the bolt head: RUD, thread size, batch-no.
- Variable bolt lengths available for tapped or through holes.
- Available as: - Standard Metric Thread (DIN EN 13) - Metric Fine Thread (DIN EN 13) - Coarse Pitch Thread UNC (ANSI B1.1) - Fine Thread 8UN (ANSI B1.1) - Inch Pipe Thread (DIN 228)
- Significant product characteristics of the VRS are subject to property right claims.
- Component according to the test criterias of BG/DGUV "GS-OA-15-04".
- Complying with the US-Standard (ASME B30.26). Quick and easy installation with just one bolt connection.
- Installation and disassembly without any further tools than the exchangeable Easy-Fit star profile key for singular lifts Version VRS-F).
- For permanent installation and recurrent lifts we can offer a special socket wrench to apply the requested torque (fits to a common Inch torque wrench).

Other important RUD specific information and specialities to our RUD lifting points can be found in the specific user instruction.

STARPOINT VRS - 1 1/8"-7UNC - 3,2t

Artikel-Nr: 7999384



weight	1.00 kg	2.20 lbs
Nominal WLL	3200 kg	7050 lbs
T	70 mm	2-3/4"
B	20 mm	3/4"
C	19 mm	3/4"
D	49 mm	1-15/16"
E	51 mm	2"
G	60 mm	2-3/8"
I	35 mm	1-3/8"
K	92 mm	3-5/8"
L	36 mm	1-27/64"
M	1-1/8"-7UNC mm	1-1/8"-7UNC
N	9/16" mm	9/16"