

STARPOINT VRS - 1 3/4"-5UNC - 9t

Artikel-Nr: 7103967

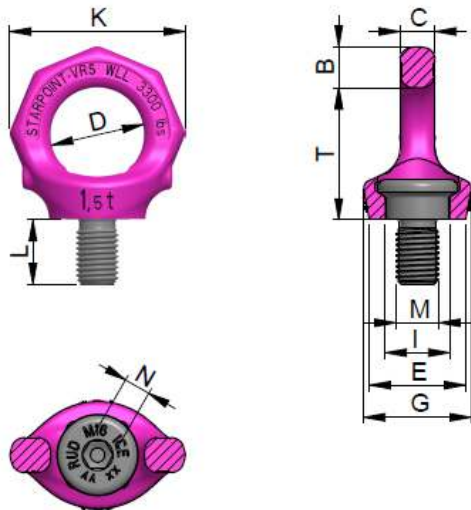


- Lifting points pivots 360°. Easy adjustment in load direction.
- Not exchangeable RUD-Bolt (this reduces the usage of improper standard bolts).
- Clear marking of the minimum WLL for all loading directions. Higher WLL possible when location and installation is optimised (compare WLL chart / product information).
- Clear marking at the bolt head: RUD, thread size, batch-no.
- Variable bolt lengths available for tapped or through holes.
- Available as: - Standard Metric Thread (DIN EN 13) - Metric Fine Thread (DIN EN 13) - Coarse Pitch Thread UNC (ANSI B1.1) - Fine Thread 8UN (ANSI B1.1) - Inch Pipe Thread (DIN 228)
- Significant product characteristics of the VRS are subject to property right claims.
- Component according to the test criterias of BG/DGUV "GS-OA-15-04".
- Complying with the US-Standard (ASME B30.26). Quick and easy installation with just one bolt connection.
- Installation and disassembly without any further tools than the exchangeable Easy-Fit star profile key for singular lifts Version VRS-F).
- For permanent installation and recurrent lifts we can offer a special socket wrench to apply the requested torque (fits to a common Inch torque wrench).

Other important RUD specific information and specialities to our RUD lifting points can be found in the specific user instruction.

STARPOINT VRS - 1 3/4"-5UNC - 9t

Artikel-Nr: 7103967



weight	4.60 kg	10.14 lbs
Nominal WLL	9000 kg	19480 lbs
T	121 mm	4-3/4"
B	37 mm	1-7/16"
C	333 mm	13-1/8"
D	84 mm	3-5/16"
E	86 mm	3-3/8"
G	111 mm	4-13/32"
I	62 mm	2-7/16"
K	158 mm	6-1/4"
L	63 mm	2-15/32"
M	1 3/4"-5UNC mm	1 3/4"-5UNC
N	1" mm	1"