

## STARPOINT VRS - G1/4" - 0,75t

Artikel-Nr: 7999269

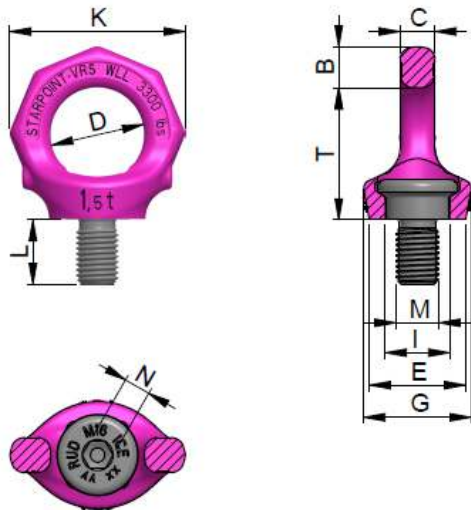


- Lifting points pivots 360°. Easy adjustment in load direction.
- Not exchangeable RUD-Bolt (this reduces the usage of improper standard bolts).
- Clear marking of the minimum WLL for all loading directions. Higher WLL possible when location and installation is optimised (compare WLL chart / product information).
- Clear marking at the bolt head: RUD, thread size, batch-no.
- Variable bolt lengths available for tapped or through holes.
- Available as: - Standard Metric Thread (DIN EN 13) - Metric Fine Thread (DIN EN 13) - Coarse Pitch Thread UNC (ANSI B1.1) - Fine Thread 8UN (ANSI B1.1) - Inch Pipe Thread (DIN 228)
- Significant product characteristics of the VRS are subject to property right claims.
- Component according to the test criterias of BG/DGUV "GS-OA-15-04".
- Complying with the US-Standard (ASME B30.26). Quick and easy installation with just one bolt connection.
- Installation and disassembly without any further tools than the exchangeable Easy-Fit star profile key for singular lifts Version VRS-F).
- For permanent installation and recurrent lifts we can offer a special socket wrench to apply the requested torque (fits to a common Inch torque wrench).

Other important RUD specific information and specialities to our RUD lifting points can be found in the specific user instruction.

## STARPOINT VRS - G1/4" - 0,75t

Artikel-Nr: 7999269



<b>weight</b>	0.19 kg	0.42 lbs
<b>Nominal WLL</b>	750 kg	1650 lbs
<b>T</b>	42 mm	1-21/32"
<b>B</b>	13 mm	1/2"
<b>C</b>	10 mm	3/8"
<b>D</b>	30 mm	1-3/16"
<b>E</b>	30 mm	1-3/16"
<b>G</b>	38 mm	1-1/2"
<b>I</b>	19,8 mm	25/32"
<b>K</b>	56 mm	2-3/16"
<b>L</b>	18 mm	23/32"
<b>M</b>	G 1/4" mm	G 1/4"
<b>N</b>	8 mm	5/16"