

STARPOINT eye nut VRM-M16

Artikel-Nr: 7990314

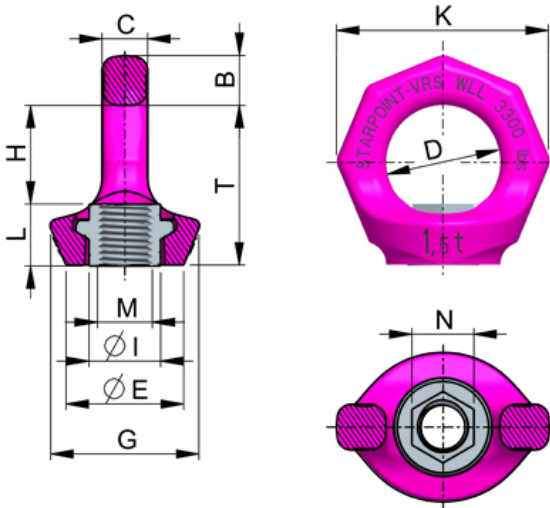


- Lifting points pivots 360° for an easy adjustment in load direction.
- Clear marking of the minimum WLL for all loading directions.
- The WLL statement corresponds to the minimum WLL in all loading directions. Higher WLL possible when location and installation is optimised (compare WLL chart).
- Available as: - Standard Metric Thread M6-M30 (DIN EN 13)
- Special coating on request.
- Component according to the test criterias of BG/DGUV "GS-OA-15-04".
- Quick and easy installation with just one bolt connection.
- Hand tightening with appropriate wrench is sufficient for a singular lift.

Other important RUD specific information and specialities to our RUD lifting points can be found in the specific user instruction.

STARPOINT eye nut VRM-M16

Artikel-Nr: 7990314



weight	0.32 kg	0.71 lbs
Nominal WLL	1500 kg	3300 lbs
T	49 mm	1-15/16"
B	15 mm	19/32"
C	13 mm	1/2"
D	35 mm	1-3/8"
E	36 mm	1-27/64"
G	40 mm	1-9/16"
H	29 mm	1-7/32"
I	22 mm	7/8"
K	65 mm	2-9/16"
L	21 mm	13/16"
M	M16 mm	M16
N	19 mm	3/4"