

STARPOINT eye nut VRM-M20

Artikel-Nr: 7990315

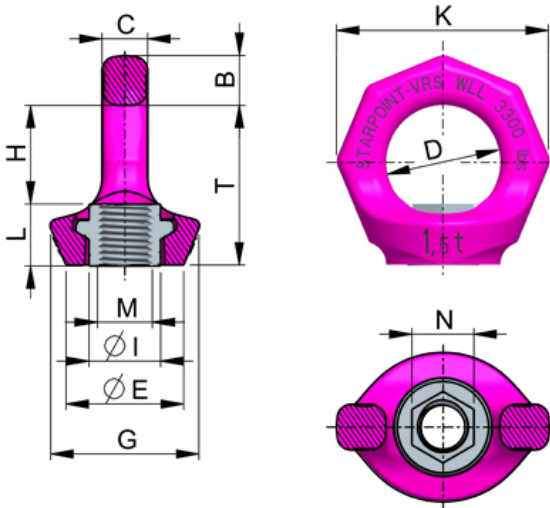


- Lifting points pivots 360° for an easy adjustment in load direction.
- Clear marking of the minimum WLL for all loading directions.
- The WLL statement corresponds to the minimum WLL in all loading directions. Higher WLL possible when location and installation is optimised (compare WLL chart).
- Available as: - Standard Metric Thread M6-M30 (DIN EN 13)
- Special coating on request.
- Component according to the test criterias of BG/DGUV "GS-OA-15-04".
- Quick and easy installation with just one bolt connection.
- Hand tightening with appropriate wrench is sufficient for a singular lift.

Other important RUD specific information and specialities to our RUD lifting points can be found in the specific user instruction.

STARPOINT eye nut VRM-M20

Artikel-Nr: 7990315



weight	0.48 kg	1.06 lbs
Nominal WLL	2300 kg	5070 lbs
T	58 mm	2-9/32"
B	17 mm	43/64"
C	16 mm	5/8"
D	40 mm	1-9/16"
E	41 mm	1-5/8"
G	50 mm	1-31/32"
H	35 mm	1-3/8"
I	29 mm	1-5/32"
K	76 mm	3"
L	23 mm	29/32"
M	M20 mm	M20
N	24 mm	15/16"