

## INOX-STAR®-Eyebolt M12

Artikel-Nr: 7993835

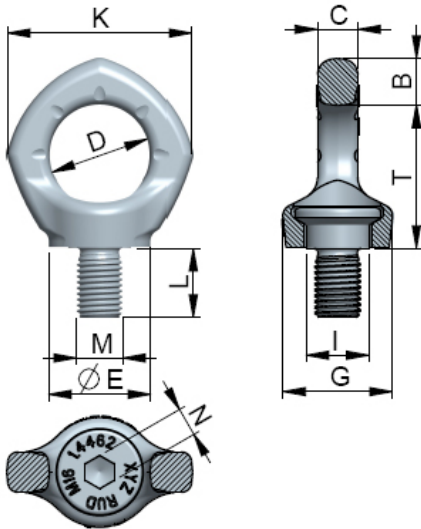


- Body and bolt made out of Duplex Steel 1.4462 (high resistancy in sea water and in environment with a high concentration of chlorine ions).
- Pentagonal shape for a clear determination to common lifting points (i.e. eye bolts).
- Lifting points pivots 360° for an easy adjustment in load direction.
- Clear marking of the minimum WLL for all loading directions. Higher WLL possible when location and installation is optimised (compare WLL chart ).
- Non removable special bolt (this reduces the risk of non standard bolts).
- Clear marking at the bolt head: RUD, thread size, batch-no., class of strength.
- Available as: Standard Metric Thread (DIN EN 13)
- Variable thread lengths are available for usage at thread holes and at through hole fixtures.
- Quick and easy installation with just one bolt connection.
- Hand tightening with appropriate wrench is sufficient for a singular lift.
- For permanent installation and recurrend lifts we can offer a special socket wrench to apply the requested torque (fits to a common Inch torque wrench).

Other important RUD specific information and specialities to our RUD lifting points can be found in the specific user instruction.

## INOX-STAR®-Eyebolt M12

Artikel-Nr: 7993835



<b>weight</b>	0.19 kg	0.42 lbs
<b>Nominal WLL</b>	500 kg	1100 lbs
<b>T</b>	43 mm	1-11/16"
<b>B</b>	14 mm	9/16"
<b>C</b>	12 mm	15/32"
<b>D</b>	30 mm	1-3/16"
<b>E</b>	30 mm	1-3/16"
<b>G</b>	32 mm	1-1/4"
<b>I</b>	20 mm	3/4"
<b>K</b>	56 mm	2-3/16"
<b>L</b>	18 mm	23/32"
<b>M</b>	M12 mm	M12
<b>N</b>	8 mm	5/16"