

INOX-STAR®-Eyebolt M16

Artikel-Nr: 7993836

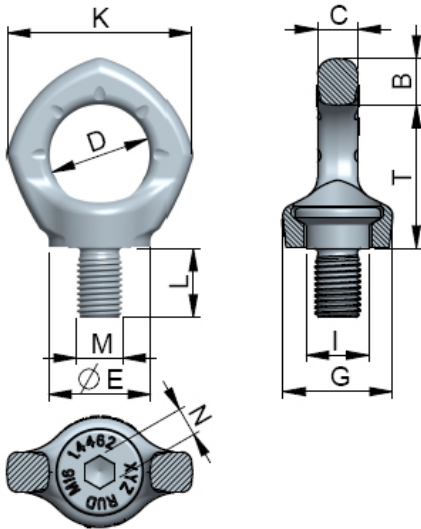


- Body and bolt made out of Duplex Steel 1.4462 (high resistancy in sea water and in environment with a high concentration of chlorine ions).
- Pentagonal shape for a clear determination to common lifting points (i.e. eye bolts).
- Lifting points pivots 360° for an easy adjustment in load direction.
- Clear marking of the minimum WLL for all loading directions. Higher WLL possible when location and installation is optimised (compare WLL chart).
- Non removable special bolt (this reduces the risk of non standard bolts).
- Clear marking at the bolt head: RUD, thread size, batch-no., class of strength.
- Available as: Standard Metric Thread (DIN EN 13)
- Variable thread lengths are available for usage at thread holes and at through hole fixtures.
- Quick and easy installation with just one bolt connection.
- Hand tightening with appropriate wrench is sufficient for a singular lift.
- For permanent installation and recurrend lifts we can offer a special socket wrench to apply the requested torque (fits to a common Inch torque wrench).

Other important RUD specific information and specialities to our RUD lifting points can be found in the specific user instruction.

INOX-STAR®-Eyebolt M16

Artikel-Nr: 7993836



weight	0.31 kg	0.68 lbs
Nominal WLL	1000 kg	2200 lbs
T	50 mm	1-31/32"
B	16 mm	5/8"
C	14 mm	9/16"
D	35 mm	1-3/8"
E	36 mm	1-27/64"
G	38 mm	1-1/2"
I	23.5 mm	59/64"
K	65 mm	2-9/16"
L	24 mm	15/16"
M	M16 mm	M16
N	10 mm	3/8"