

INOX-STAR®-Eyebolt M12 - L=50

Artikel-Nr: 7997822

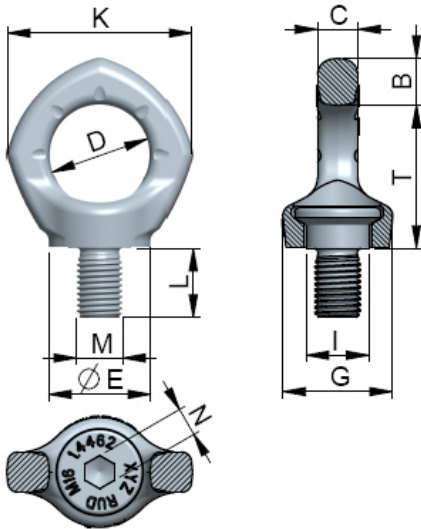


- Body and bolt made out of Duplex Steel 1.4462 (high resistancy in sea water and in environment with a high concentration of chlorine ions).
- Pentagonal shape for a clear determination to common lifting points (i.e. eye bolts).
- Lifting points pivots 360° for an easy adjustment in load direction.
- Clear marking of the minimum WLL for all loading directions. Higher WLL possible when location and installation is optimised (compare WLL chart).
- Non removable special bolt (this reduces the risk of non standard bolts).
- Clear marking at the bolt head: RUD, thread size, batch-no., class of strength.
- Available as: Standard Metric Thread (DIN EN 13)
- Quick and easy installation with just one bolt connection.
- Hand tightening with appropriate wrench is sufficient for a singular lift.
- For permanent installation and recurrend lifts we can offer a special socket wrench to apply the requested torque (fits to a common Inch torque wrench).

Other important RUD specific information and specialities to our RUD lifting points can be found in the specific user instruction.

INOX-STAR®-Eyebolt M12 - L=50

Artikel-Nr: 7997822



weight	0.22 kg	0.49 lbs
Nominal WLL	500 kg	1100 lbs
T	43 mm	1-11/16"
B	14 mm	9/16"
C	12 mm	15/32"
D	30 mm	1-3/16"
E	30 mm	1-3/16"
G	32 mm	1-1/4"
I	20 mm	3/4"
K	56 mm	2-3/16"
L	50 mm	1-31/32"
M	M12 mm	M12
N	8 mm	5/16"