

Eye bolt RS-M10

Artikel-Nr: 56397

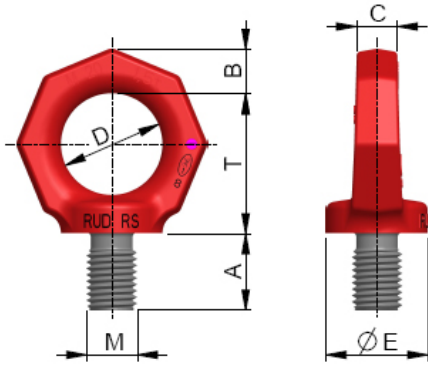


- **Considerably higher WLL** (in comparison to DIN 580/582) at vertical load.
- **Large thread and WLL range** (M6-M48, 0.1 t – 8 t).
- **Clear marking of the minimum WLL for all loading directions**
- Quick and easy installation with just one bolt connection.
- In accordance with the test principles of DGUV GS-OA-15-04, eyebolts with rigid eyes serve as mounting aids, e.g. on motors and gear units. There is a trade association clearance certificate available for using the high-strength RUD RS eyebolts.

Other important RUD specific information and specialities to our RUD lifting points can be found in the specific user instruction.

Eye bolt RS-M10

Artikel-Nr: 56397



weight	0.10 kg	0.22 lbs
Nominal WLL	250 kg	550 lbs
T	34 mm	1-11/32"
A	15 mm	19/32"
B	11 mm	7/16"
C	10 mm	3/8"
D	25 mm	63/64"
E	25 mm	63/64"
M	M10 mm	M10