

Eye bolt RS-1 1/4"-7UNC

Artikel-Nr: 57685

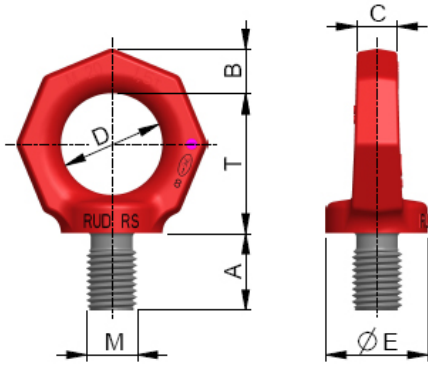


- **Considerably higher WLL** (in comparison to DIN 580/582) at vertical load.
- **Large thread and WLL range** (M6-M48, 0.1 t – 8 t).
- **Clear marking of the minimum WLL for all loading directions**
- Quick and easy installation with just one bolt connection.
- In accordance with the test principles of DGUV GS-OA-15-04, eyebolts with rigid eyes serve as mounting aids, e.g. on motors and gear units. There is a trade association clearance certificate available for using the high-strength RUD RS eyebolts.

Other important RUD specific information and specialities to our RUD lifting points can be found in the specific user instruction.

Eye bolt RS-1 1/4"-7UNC

Artikel-Nr: 57685



weight	1.60 kg	3.53 lbs
Nominal WLL	3000 kg	6600 lbs
T	85 mm	3-11/32"
A	46 mm	1-13/16"
B	26 mm	1"
C	24 mm	15/16"
D	60 mm	2-3/8"
E	60 mm	2-3/8"
M	1 1/4"-7UNC mm	1 1/4"-7UNC