

Eye bolt RS-1 1/2"-8UN

Artikel-Nr: 7990453

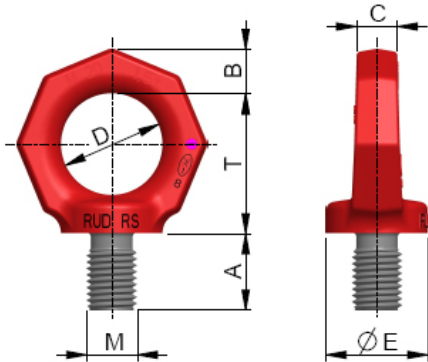


- **Considerably higher WLL** (in comparison to DIN 580/582) at vertical load.
- **Large thread and WLL range** (M6-M48, 0.1 t – 8 t).
- **Clear marking of the minimum WLL for all loading directions**
- Quick and easy installation with just one bolt connection.
- In accordance with the test principles of DGUV GS-OA-15-04, eyebolts with rigid eyes serve as mounting aids, e.g. on motors and gear units. There is a trade association clearance certificate available for using the high-strength RUD RS eyebolts.

Other important RUD specific information and specialities to our RUD lifting points can be found in the specific user instruction.

Eye bolt RS-1 1/2"-8UN

Artikel-Nr: 7990453



| | | |
|--------------------|---------------|------------|
| weight | 6.50 kg | 14.33 lbs |
| Nominal WLL | 4000 kg | 8800 lbs |
| T | 130 mm | 5-1/8" |
| A | 58 mm | 2-9/32" |
| B | 43 mm | 1-11/16" |
| C | 38 mm | 1-1/2" |
| D | 90 mm | 3-17/32" |
| E | 100 mm | 3-15/16" |
| M | 1 1/2"-8UN mm | 1 1/2"-8UN |