

## Eye bolt RS-3/8"-16BSW

Artikel-Nr: 51808

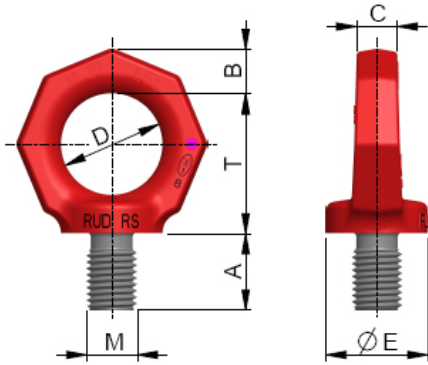


- **Considerably higher WLL** (in comparison to DIN 580/582) at vertical load.
- **Large thread and WLL range** (M6-M48, 0.1 t – 8 t).
- **Clear marking of the minimum WLL for all loading directions**
- Quick and easy installation with just one bolt connection.
- In accordance with the test principles of DGUV GS-OA-15-04, eyebolts with rigid eyes serve as mounting aids, e.g. on motors and gear units. There is a trade association clearance certificate available for using the high-strength RUD RS eyebolts.

Other important RUD specific information and specialities to our RUD lifting points can be found in the specific user instruction.

## Eye bolt RS-3/8"-16BSW

Artikel-Nr: 51808



|                    |         |          |
|--------------------|---------|----------|
| <b>weight</b>      | 0.10 kg | 0.22 lbs |
| <b>Nominal WLL</b> | 250 kg  | 550 lbs  |
| <b>T</b>           | 34 mm   | 1-11/32" |
| <b>A</b>           | 15 mm   | 19/32"   |
| <b>B</b>           | 11 mm   | 7/16"    |
| <b>C</b>           | 10 mm   | 3/8"     |
| <b>D</b>           | 25 mm   | 63/64"   |
| <b>E</b>           | 25 mm   | 63/64"   |
| <b>M</b>           | 3/8" mm | 3/8"     |