

Eye bolt RS-1/2"-12BSW

Artikel-Nr: 51810

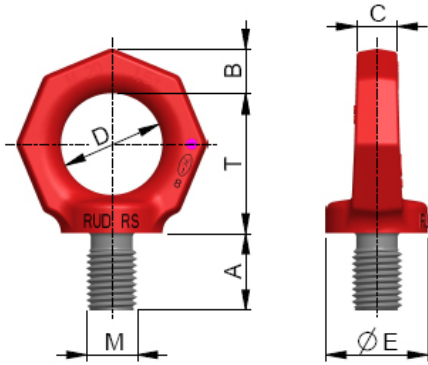


- **Considerably higher WLL** (in comparison to DIN 580/582) at vertical load.
- **Large thread and WLL range** (M6-M48, 0.1 t – 8 t).
- **Clear marking of the minimum WLL for all loading directions**
- Quick and easy installation with just one bolt connection.
- In accordance with the test principles of DGUV GS-OA-15-04, eyebolts with rigid eyes serve as mounting aids, e.g. on motors and gear units. There is a trade association clearance certificate available for using the high-strength RUD RS eyebolts.

Other important RUD specific information and specialities to our RUD lifting points can be found in the specific user instruction.

Eye bolt RS-1/2"-12BSW

Artikel-Nr: 51810



weight	0.18 kg	0.40 lbs
Nominal WLL	400 kg	880 lbs
T	41 mm	1-5/8"
A	18 mm	23/32"
B	13 mm	1/2"
C	12 mm	15/32"
D	30 mm	1-3/16"
E	30 mm	1-3/16"
M	1/2" mm	1/2"