

Eye bolt RS-2"-4,5BSW

Artikel-Nr: 51805

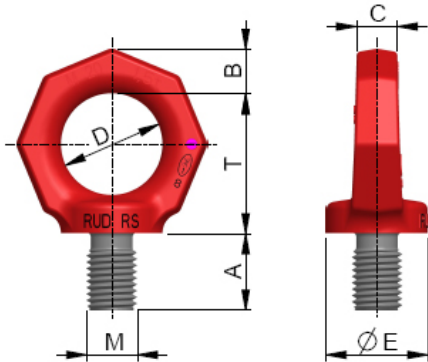


- **Considerably higher WLL** (in comparison to DIN 580/582) at vertical load.
- **Large thread and WLL range** (M6-M48, 0.1 t – 8 t).
- **Clear marking of the minimum WLL for all loading directions**
- Quick and easy installation with just one bolt connection.
- In accordance with the test principles of DGUV GS-OA-15-04, eyebolts with rigid eyes serve as mounting aids, e.g. on motors and gear units. There is a trade association clearance certificate available for using the high-strength RUD RS eyebolts.

Other important RUD specific information and specialities to our RUD lifting points can be found in the specific user instruction.

Eye bolt RS-2"-4,5BSW

Artikel-Nr: 51805



weight	6.81 kg	15.01 lbs
Nominal WLL	8000 kg	17600 lbs
T	130 mm	5-1/8"
A	67 mm	2-5/8"
B	43 mm	1-11/16"
C	38 mm	1-1/2"
D	90 mm	3-17/32"
E	100 mm	3-15/16"
M	2" mm	2"