

Excavator hook welded VCGH-S 16

Artikel-Nr: 7984047



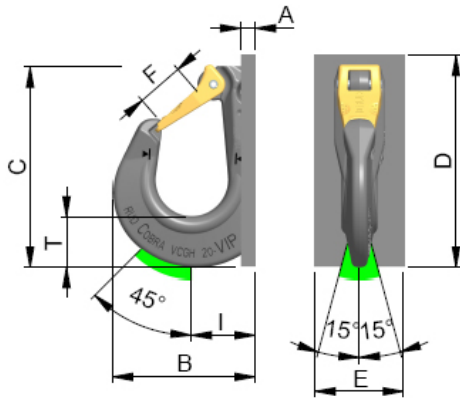
Used as a lifting point for spreader bars, wire rope slings, round slings, lifting means: oval suspension ring.

- Can be combined with most commercial lifting means without additional connecting element.
- Patented markings for easy determination for withdraw of service.
- Robust, forged safety latch.
- Phosphated surface.
- Weld-on point can be used as excavator hook.
- Simple and fast welding installation.
- The weld-on-block is made (forged) out of quality weldable steel. Weld: Kehlnaht 8
- Area of application in ring plane: 45°, Area of application at lateral load: +15°, -15°

Welding should only be carried out by qualified persons according to ISO 9606-1. Other important RUD specific information and specialities to our RUD lifting points can be found in the specific user instruction.

Excavator hook welded VCGH-S 16

Artikel-Nr: 7984047



weight	5.67 kg	12.50 lbs
Nominal WLL	10000 kg	22000 lbs
T	49 mm	1-15/16"
A	15 mm	19/32"
B	141 mm	5-9/16"
C	200 mm	7-7/8"
D	220 mm	8-11/16"
E	100 mm	3-15/16"
F	48 mm	1-7/8"
I	70 mm	2-3/4"
N	16 mm	null