

## Excavator hook welded VCGH-S 22

Artikel-Nr: 7984312



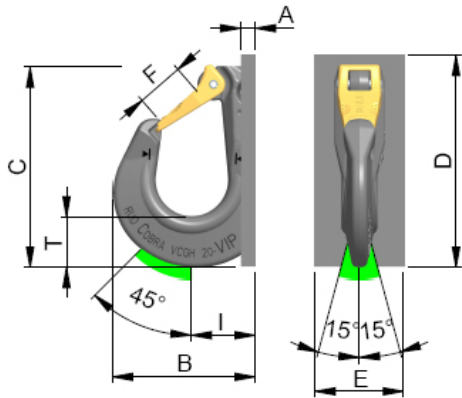
Used as a lifting point for spreader bars, wire rope slings, round slings, lifting means: oval suspension ring.

- Can be combined with most commercial lifting means without additional connecting element.
- Patented markings for easy determination for withdraw of service.
- Robust, forged safety latch.
- Phosphated surface.
- Weld-on point can be used as excavator hook.
- Simple and fast welding installation.
- The weld-on-block is made (forged) out of quality weldable steel. Weld: Kehlnaht 8
- Area of application in ring plane: 45°, Area of application at lateral load: +15°, -15°

Welding should only be carried out by qualified persons according to ISO 9606-1. Other important RUD specific information and specialities to our RUD lifting points can be found in the specific user instruction.

## Excavator hook welded VCGH-S 22

Artikel-Nr: 7984312



<b>weight</b>	14.50 kg	31.97 lbs
<b>Nominal WLL</b>	20000 kg	44000 lbs
<b>T</b>	74 mm	2-29/32"
<b>A</b>	20 mm	3/4"
<b>B</b>	196 mm	7-23/32"
<b>C</b>	276 mm	10-7/8"
<b>D</b>	292 mm	11-1/2"
<b>E</b>	120 mm	4-3/4"
<b>F</b>	63 mm	2-15/32"
<b>I</b>	92 mm	3-5/8"
<b>N</b>	22 mm	null