

## ICE-Identification tag IKZA 13

Artikel-Nr: 7995554



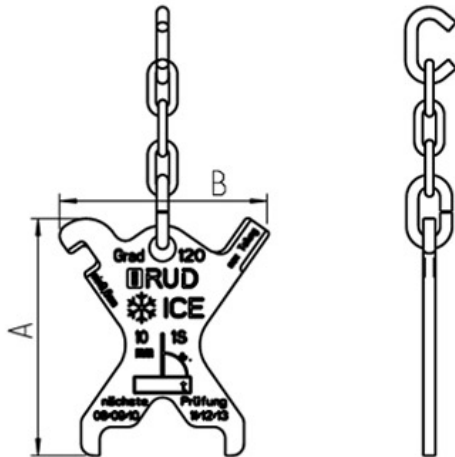
ICE identification tag with an integrated chain testing gauge, complete with a fastening chain.

The following chain characteristics can be tested with the gauge:

- Wear of nominal diameter.
- Pitch elongation (caused by wear of nominal diameter)
- Plastic elongation caused by overloading.

## ICE-Identification tag IKZA 13

Artikel-Nr: 7995554



<b>weight</b>	0.31 kg	0.68 lbs
<b>A</b>	128.0 mm	5"
<b>B</b>	112.0 mm	4-13/32"