

PSA-STARPOINT PSA-VRS M12 with var. Length

Artikel-Nr: 8600400

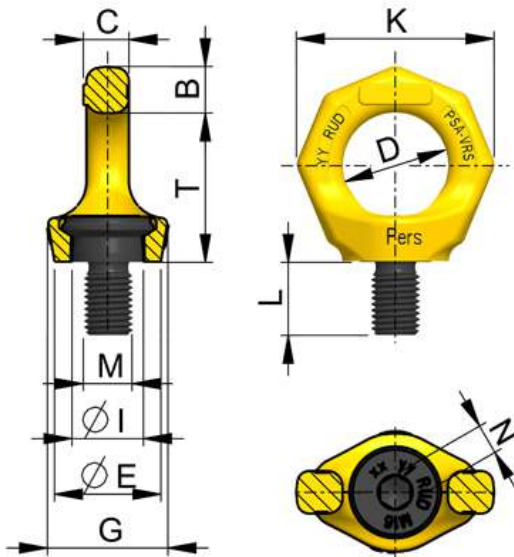


- **Lifting points pivots 360°**
- **They are corresponding to a "anchor point" according to European edict 2016/425** and the DIN 795:2012-10 resp. DIN CEN / TS 16415:2013-4 and they are marked with CE and the number of load bearing persons (=1 or 2 persons).
- **These products are certified by a notified institution of DGUV** (Deutsche Gesetzliche Unfallversicherung): DGUV-test certificate No.: PS17060031, PS17060032 and PS17060033 with the evidence of the in OSHA 1926.502: 2001/01 paragraph (d)(15) and DIN EN 50308:2005 chapter 4.5 for lifting points required Forces.
- **Non removable special bolt** (this reduces the risk of improper standard bolts).
- Available as: - Standard Metric Thread (DIN EN 13)
- Quick and easy installation with just one bolt connection.
- Hand tightening with appropriate wrench is sufficient for a singular lift.

Other important RUD specific information and specialities to our RUD lifting points can be found in the specific user instruction.

PSA-STARPOINT PSA-VRS M12 with var. Length

Artikel-Nr: 8600400



T	42 mm	1-21/32"
B	14 mm	9/16"
C	12 mm	15/32"
D	30 mm	1-3/16"
E	30 mm	1-3/16"
G	34 mm	1-11/32"
I	20 mm	3/4"
K	56 mm	2-3/16"
L	18-150 mm	18-150
M	M12 mm	M12
N	8 mm	5/16"