

## PSA-STARPOINT PSA-VRS M16 with var. Length

Artikel-Nr: 8600401

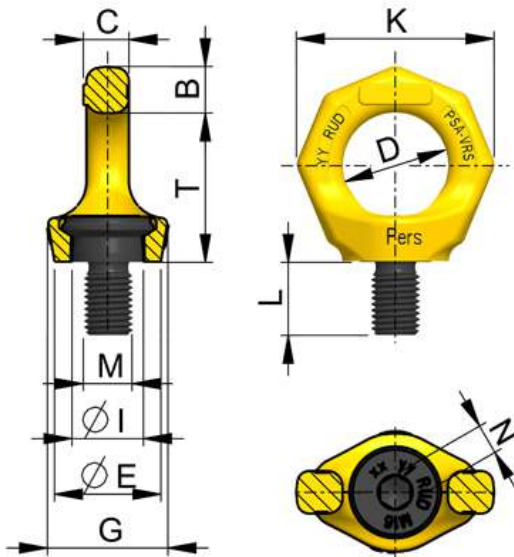


- **Lifting points pivots 360°**
- **They are corresponding to a "anchor point" according to European edict 2016/425** and the DIN 795:2012-10 resp. DIN CEN / TS 16415:2013-4 and they are marked with CE and the number of load bearing persons (=1 or 2 persons).
- **These products are certified by a notified institution of DGUV** (Deutsche Gesetzliche Unfallversicherung): DGUV-test certificate No.: PS17060031, PS17060032 and PS17060033 with the evidence of the in OSHA 1926.502: 2001/01 paragraph (d)(15) and DIN EN 50308:2005 chapter 4.5 for lifting points required Forces.
- **Non removable special bolt** (this reduces the risk of improper standard bolts).
- Available as: - Standard Metric Thread (DIN EN 13)
- Quick and easy installation with just one bolt connection.
- Hand tightening with appropriate wrench is sufficient for a singular lift.

Other important RUD specific information and specialities to our RUD lifting points can be found in the specific user instruction.

## PSA-STARPOINT PSA-VRS M16 with var. Length

Artikel-Nr: 8600401



|          |           |          |
|----------|-----------|----------|
| <b>T</b> | 50 mm     | 1-31/32" |
| <b>B</b> | 16 mm     | 5/8"     |
| <b>C</b> | 15 mm     | 19/32"   |
| <b>D</b> | 35 mm     | 1-3/8"   |
| <b>E</b> | 35 mm     | 1-3/8"   |
| <b>G</b> | 40 mm     | 1-9/16"  |
| <b>I</b> | 24 mm     | 15/16"   |
| <b>K</b> | 65 mm     | 2-9/16"  |
| <b>L</b> | 24-120 mm | 24-120   |
| <b>M</b> | M16 mm    | M16      |
| <b>N</b> | 10 mm     | 3/8"     |