



# RUD TECDOS OMEGA DRIVE

THE NEXT GENERATION – MORE EFFICIENCY THROUGH FLEXIBILITY



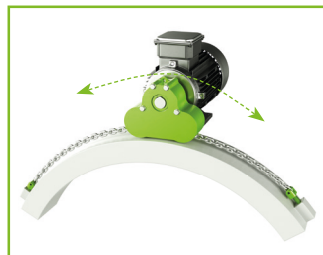
## A FACELIFT FOR THE TECDOS OMEGA DRIVE

The new modular design of the TECDOS OMEGA DRIVE extends the possibilities:

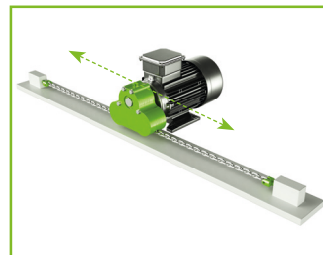
- ✓ Flexible adjustments
- ✓ Vertical and conclusive design enables easy mounting
- ✓ Optimized and slim low-vibration design
- ✓ More options for mounting the TECDOS OMEGA DRIVE without necessarily using an adapter
- ✓ Special chain guide adapted to the overall design runs through the TECDOS OMEGA DRIVE
- ✓ Perfect service: Parts of the TECDOS OMEGA DRIVE can be separated easily and enable a simplified maintenance
- ✓ Enables a 50% longer service life



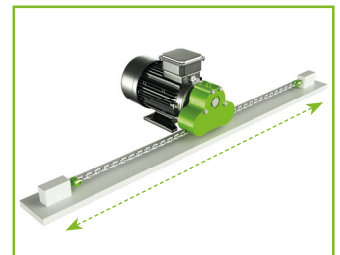
Fixed TECDOS OMEGA DRIVE can perform a rotational movement up to approx. 350° with mobile TECDOS round link chain.



Mobile TECDOS OMEGA DRIVE can be moved up to approx. 350° by a fixed TECDOS round link chain.

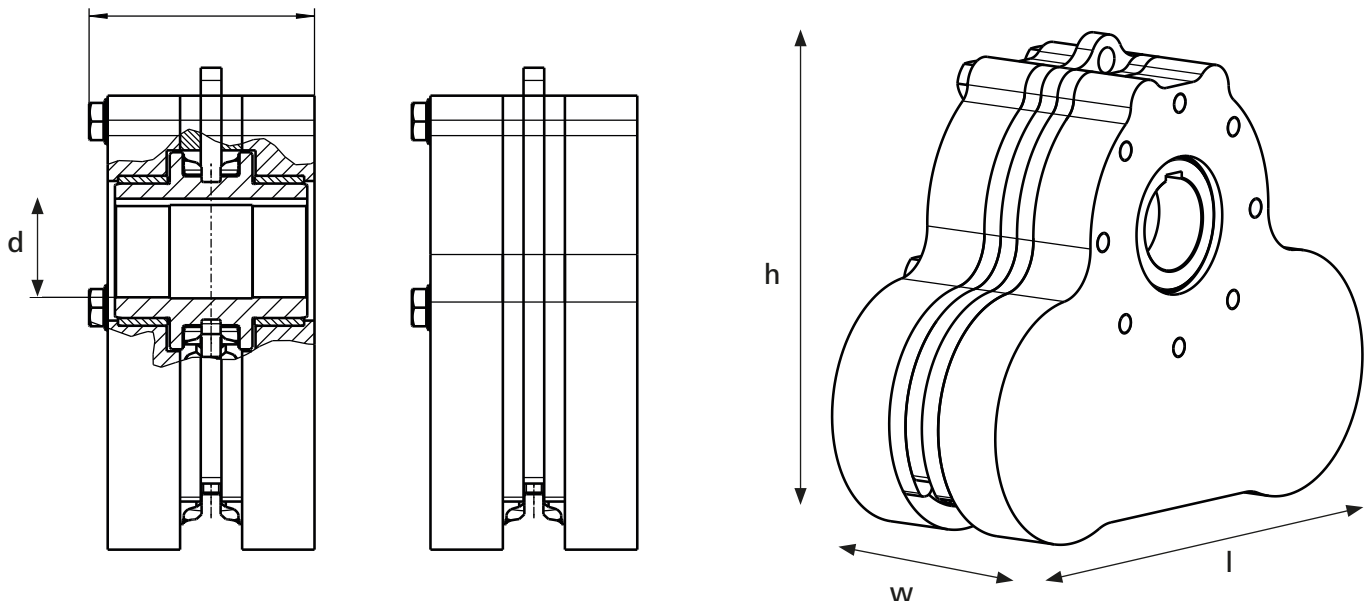


Mobile TECDOS OMEGA DRIVE can be moved up to 12 m/min by linear movements on a fixed TECDOS round link chain.



Fixed TECDOS OMEGA DRIVE can move a linear motion up to 12 m/min with mobile TECDOS round link chain (telescoping).

Description	Height (h) [mm]	Length (l) [mm]	Width (w) [mm]	Weight [kg]	Diameter shaft mounting (d) [mm]	Number of keyways DIN 6895 [mm] P9	Part No.
OMEGA TEC 6	155	200	73	8.2	25 H7	1	7911329
OMEGA TEC 12	250	280	102	22	40 H7	1	7911339
OMEGA TEC 25	316	372	150	60	50 H7	1	7911347
OMEGA TEC 43	400	472	162	95	70 H7	1	7911374
OMEGA TEC 65	468	580	220	195	90 H7	1	7911383
OMEGA TEC 140	684	867	295	611	130 H7	2 (120°)	7912475
OMEGA TEC 260	913	1,176	371	1,327	180 H7	2 (120°)	7912465



**Notice: Chain lubrication**

When running over the drive and reversing wheels, the chain links are unwound under load. In order to minimise the friction between links, the TECDOS round link chain must be lubricated regularly in relation to the operating conditions.

**Notice: Noise level**

Regular chain service provides the noise level up to 30 db(A).